

## Specifications and Features:

ANSI	Illumination levels			
	Turbo	High	Middle	Low
Luminance	180Lm	120Lm	60Lm	3Lm
Beam Throw	47m(On Land)			
Max Intensity	555cd			
Impact Resistant	1.5m			
LED	CREE XP-E R3 LED			
Material	6N01 ,Hard-anodized anti-abrasive finish			
Working Voltage	2.75-5.5V			
Output	USB2.0/3.0			
Switch	Clicky On/Off Side Switch			
Size	Ø22.0mm(Head dia)x48.0mm(Length)			
Net Weight	18.0g (Excluded Metal Hose)			
Package Contents	UL1,Metal Hose			

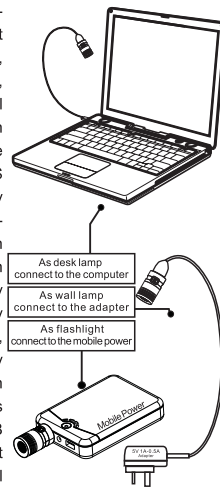
### Notice:

Automatically turn to high mode from turbo mode after five-minute normal work.

3

## Introduction:

XTAR UL1 is one Multi-usage mini USB light released by XTAR in April, 2013. Its compact size, multi-usage and optional colors make UL1 an economical and fashionable USB light. Adopting the US made high luminous efficacy CREE XP-E R3 and step-down function with synchronous rectification design, UL1 has many advantages: low supply current, high lumen output, extremely low standby current, over heat protection and soon. In addition, UL1 is compatible with USB 2.0/3.0. With good light transmittance, beautiful beam profile, UL1 is your best choice for daily use or as a gift.



2

## About XTAR:

Hong Kong XTAR Co., Ltd is a company based in Shenzhen China, which focuses on flashlight research, productions, and sales. Shenzhen is China's economic and finance trade center. Over the years, our company has developed rapidly and is currently utilizing its acquired professional skills towards advanced research in flashlight technology.

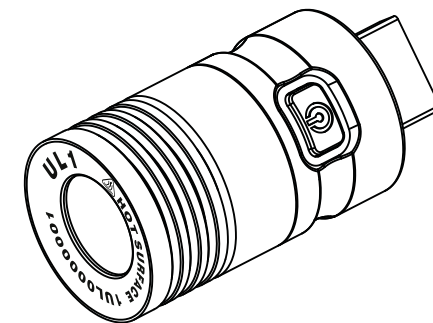
Thanks to close cooperation with other companies from home and abroad, our company's production capacity and scale have increased continuously. This close cooperation has aided Xtar Co in keeping pace with the fast changes in lighting technology. To date, the products from our company have been exported to more than 40 countries, including USA, UK, Japan, Germany, France, Norway, Australia, etc.

"Quality most important, Customer interest our priority" is always the management principle of our company. The staff in our company is committed to the development of the company with a great sense structure and establish an excellent flashlight brand, we strive to introduce a good quality-control system and advanced technology as well as enhance cooperation with our partners. We will always be responsible for the products you purchase from us.

1



HONG KONG XTAR CO., LTD



XTAR USB light - **UL1**  
**Manual**

## Instructions:

1. Connect to the USB port:  
Connect UL1 to the computer, mobile power, the adapter or USB 2.0/3.0 port. Click the switch to turn on the light.

2. Select the mode:  
When USB connected, click the switch to change modes. Modes arrangement: High-Turbo (Automatically turn to high mode 5 minutes later)-Mid-Low. Quick double-tap in any modes is for signal mode. Quick double-tap in signal mode turns to SOS mode. Click the switch in signal mode or SOS mode turns to high mode.

3. Long press for 1.5s will turn off the light.

## Notice:

1. When UL1 is in high mode for a long time or repeatedly switched to turbo mode under a relative high temperature circumstance, it will have some temperature rise.

2. Under relative high operating temperature in turbo mode, UL1 will automatically turn to high mode from turbo mode after 5 minutes.

4

## Maintenance:

- Keep the UL1's USB port clean.
- Keep UL1 away from water
- No repeatedly switching to turbo mode is recommended.

## Troubleshooting:

Possible Problem	Reasons	Solution
UL1 flashes	Bad contact, Power supply voltage unstable	Try to connect to other USB port
UL1 could not change mode normally	Bad contact, Power supply voltage unstable	Try to connect to other USB port

If the flashlight still fails to operate, please contact your dealer or service center where the flashlight was purchased, for warranty service.

## Warranty:

- 15 days free replacement: We will repair or replace a light within 15 days of purchase if it has a manufacturing defect. If the problem calls for a replacement, we will replace the light with the same model as the one you bought. If the model has been discontinued, you will receive a product with similar or improved performance.

5

- 24 months free repair. We offer free repair within 24 months of purchase if problems develop with normal use.
- Limited lifetime warranty. If problems develop after 24 months there will be a charge for parts. The total repair fee will be assessed according to the cost of the replaced materials. If damage to the light is grave, your XTAR distributor will contact you to decide whether to exchange the parts or not. Freight will be paid by distributors or customers.
- This warranty is not applicable for damages caused by faulty operation, disassembly, and irresistible factors.**

## Website and Anti-fake inquiry:

- Welcome to visit our company website to get more information.  
<http://www.xtarlight.com>
- Anti-fake inquiry: A group of eighteen-digit number could be gained by scraping the anti-counterfeiting label on our product or package. Then, input it to the corresponding query window in our service column of our official website to distinguish the product's authenticity. The serial number does the same work.
- Thank you for choosing our excellent product. Your satisfaction and feedback are essential to our progress.**



6



HONG KONG XTAR CO., LTD

Address: Rm 813, Moi Art Trading Plaza, No.245 Busha Rd Buji, Longgang District, Shenzhen, Guangdong, China  
Zip Code: 518112  
Web site: [www.xtarlight.com](http://www.xtarlight.com)  
Email: [service@xtarlight.com](mailto:service@xtarlight.com)  
Tel: +86-755-25507076  
Fax: +86-755-25507076