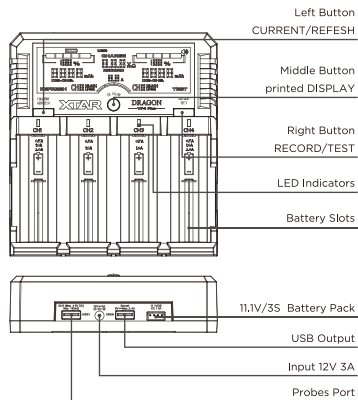
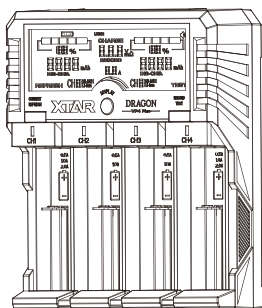


XTAR

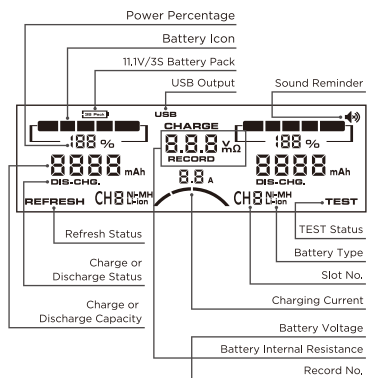
DRAGON VP4 Plus

Premium LCD Li-ion/Ni-MH Battery Charger



①

LCD Display



②

Introduction

The most powerful charger which can test battery resistance like a multimeter and test the battery capacity like a battery cabinet.

Apply to:

3.6V/3.7V Li-ion/IMR/INR/ICR
10440 14500 14650 16340 17335
17500 17670 18350 18490 18500
18650 18700 20700 21700 22650
25500 26650 32650

1.2V Ni-MH/Ni-CD

AAAA/AAA/AA/A/SC/C/D

11.1V/3S Battery Pack

Note:

Can not charge protected 20700/21700 batteries.

③

Specification

Model	DRAGON VP4 Plus
Input	DC 12V 3A
Adjustable Constant Current	0.5A×4 1A×4 2A×2 (CH1&CH4)
3S Pack Charge Current	1A
Cut-off Voltage	4.2±0.05V/1.45±0.1V
Cut-off Current	≤120mA
USB Output	DC 5V 2.4A (Max.)
Operating Temperature	0-40°C

Operation

The Charge Function

Connect power supply and insert batteries, it will automatically start charging. Adjust the charge current by pressing the left button and switch the display by pressing the middle button.

OV Activation Function

Insert batteries, revivable batteries will start charging within 10 minutes.

④

XTAR

Shenzhen XTAR Electronics Co., Ltd
5th Floor, No.77 Xinhe Rd, Shangmugu, Pinghu Area,
Longgang District, Shenzhen, Guangdong, China 518111
Tel/Fax: (+86)755-25507076 E-mail: info@xtar.cc
Website: www.xtar.cc

Test Battery Voltage and Resistance

Plug in and short circuit the probes (contact positive and negative poles), then contact the corresponding polarities of battery. Press the middle button twice to turn off.

Refresh Memory Effect

Long press the left button to turn on/off the REFRESH mode (Discharge-Charge).

Test Battery Capacity

Long press the right button to turn on/off the TEST mode (Charge-Discharge-Charge). The discharge and second charge capacity will be recorded.

Read the Record Data

Press the right button to read the record data. Press the middle button to switch channels and left/right button to page on/down the record. Press the middle button twice to turn off.

USB Output Function (with Power-Path Management)

Charge USB device and the batteries at the same time.

⑤

Or unplug the power supply, insert Li-ion batteries to charge USB device as a power bank.

Note:

Power-Path Management lets the USB device charge directly from the power supply instead of the batteries, which extends the battery lifespan.

Turn on/off Screen Back Light

The screen will dim if no operation in 1 minute. Long press the middle button to turn off the back light, any press to turn on.

Turn on/off Sound Reminder

Press the right button twice to turn on/off the sound.

Indicator Color Meaning

Green: standby/fully charged/polarity reversed

Red: self-examining/activating/charging

Blue: discharging/USB outputting

No Light: power supply unconnected

⑥

Warranty

Please take the product (with warranty number) and receipt to local dealer to get after-sales service.

- 15 days free replacement.
- 24 months free repair. If problems develop beyond 24 months, we will offer free repair service but charge for parts used. The dealer will inform you the repair fee before repair.
- Lifetime technical support.

Note:

1. Damage caused by misuse or intentional force is not covered by the warranty.
2. You are recommended to store warranty info online: register and login to www.xtar.cc - Member Center - Warranty Information.

Global After-sales Email: service@xtar.cc

US After-sales Email: serviceus@xtar.cc

⑦

Anti-Fake

1. Scratch the anti-counterfeiting label on the package to get an 18-digit number.
2. Input the number into the query page on www.xtar.cc (Contact Us - Anti-fake).

Warning

1. When the power supply is insufficient, the charger will reduce the charging current correspondingly.
2. Do not charge unsuitable batteries with the charger.
3. Keep the charger away from humidity, water, and excessive dust.
4. Children should use the charger accompanied by an adult.
5. Do not disassemble or use the charger if it is damaged.
6. For more and updated info, please visit www.xtar.cc.

⑧