

## Usage and Maintenance

- ⊙ Please don't disassemble the sealed head, doing so can cause damage to the flashlight.
  - ⊙ High-power flashlights need batteries capable of high current electric discharge. We strongly recommend use rechargeable batteries for their high performance.
  - ⊙ Please take your battery out of the flashlight if you will not use the light for a long time, or the power of the battery has run out. Otherwise, some poor batteries may leak and damage the light.
  - ⊙ Please replace the O-ring if it becomes damaged after using for a long time, and regularly lubricate the O-rings so as to not erode the rubber. Doing so will also keep the flashlight properly sealed against water;
  - ⊙ Clean the contacts of your light periodically, especially when the flashlight flickers abnormally or cannot light up. There may be several reasons as follows:  
**Reason 1:** the batteries need to be replaced  
**Solution:** replace batteries (confirm the correct installation of anode and cathode).  
**Reason 2:** The threads, PCB board contact or other contacts are dirty.  
**Solution:** clean the contact points with an alcohol soaked cotton swab.
- If the above methods do not solve the issue, contact your distributor and refer to the warranty policy.

5

## Product warranty

Acebeam guarantees flashlight against defects in material and workmanship. Flashlight products that are found to be defective under normal use within 24 months of the period of purchase date will be repaired or replaced without charge. This warranty does not cover damage caused by accident, unreasonable use or product alteration. Failure to follow the general maintenance directions could result in damage to your flashlight that may not be covered by Acebeam warranty.

If this flashlight should prove defective, the product will be repaired or replaced under the above terms. Please contact Acebeam or your original Acebeam dealer for warranty return instructions.

## Warning

L25 is a high intensity lighting device and capable causing eye damage, avoid shining the light directly into the eyes.

### SHENZHEN MICROBLUEBEAR TECHNOLOGY CO., LTD

Tel: +86-0755-28101361

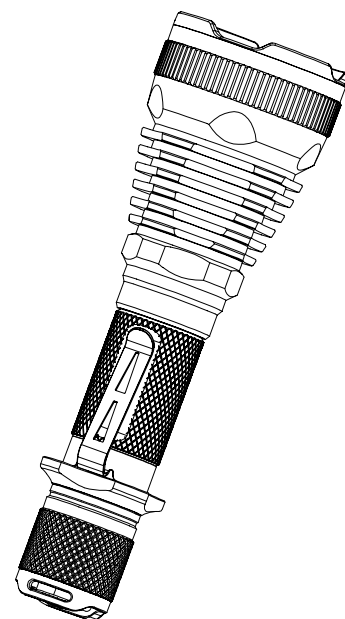
<http://www.acebeam.com>

E-mail: [admin@acebeam.com](mailto:admin@acebeam.com)

Address: Longhua Industrial Park No. 3 Baoan District, Shenzhen City, Guangdong, China

6

**ACEBEAM™**  
An Excellent Manufacturer



## Acebeam L25

Max 1000 Lumens(XM-L2)

### User Manual

1

**ACEBEAM™**  
An Excellent Manufacturer

## About this Acebeam L25

- ⊙ This Acebeam L25 flashlight's versatile modes of output are easily accessible by simply rotating the head part, and can get the output from low to the high brightness which you want directly.
- ⊙ Generous knurling throughout the surface of the entire light ensures good grip when you most need it.
- ⊙ There are two springs on the head and tail cap for shock damping. This light is ready to be weapon mounted.
- ⊙ Conforms to IPX-8 standard: 1.5 meters.
- ⊙ Removable grip ring, clip, and crenellated stainless steel strike bezel for different applications
- ⊙ A tactical 'clicky' switch is fully exposed in the tailcap for easy access, even when wearing gloves.

2

## Features

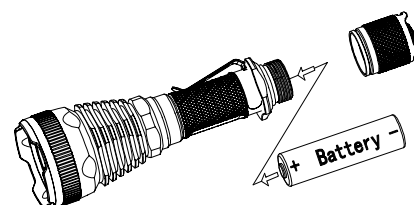
- ⊙ LED: Cree XM-L2 LED with a lifespan of 50,000 hours
- ⊙ Use one 18650 or 2\*CR123A batteries or 3\*CR123A. (one extended tube included)
- ⊙ Rated operation voltage 2.7V to 12V
- ⊙ Crenellated SS bezel
- ⊙ Removable SS clip
- ⊙ Copper base plate for more efficient heat dissipation
- ⊙ Shiny smooth reflector and get perfect beam
- ⊙ Max light output: 1000 lumens when use 3 or 4 CR123A or 2-18650 rechargeable batteries. Max output for 10 mins and then down to 85% (extended tube are not included in the package)
- ⊙ Max runtime: 745 hours (0.2 lumens)  
Runtime: 75 minute for 1-18650 (2600MAH) down to 50%.  
47 minutes down to 50% (3CR123A)
- ⊙ Max beam distance: 370m
- ⊙ Peak beam intensity: 33800cd
- ⊙ Impact resistance: 1.2m
- ⊙ Waterproof to IPX-8 standard
- ⊙ Size: 166mm (length) x 51mm (bezel) x 25.4mm (Body dia.)
- ⊙ Weight: 218g (without battery)
- ⊙ Made of durable aircraft grade aluminum
- ⊙ Premium Type III hard-anodized anti-abrasive finish
- ⊙ Toughened ultra-clear glass lens with anti-reflective coating
- ⊙ Battery reverse protection function. And batteries low indication (it will flash when voltage down to 2.7V)

Notice: The above-mentioned parameters (tested with a 2600mAh 18650 battery) are approximate and may vary between flashlights, batteries, and environments.

3

## Operation

- ⊙ ON/OFF Switching  
Switch ON: Press the push button down completely until a "click" sound is heard and flashlight turns on.  
Switch OFF: Press the push button down a second time until a "click" sound is heard and light is turned off
- ⊙ Mode Switching  
At loosen station of head screw the ring on the body, (tighten-loosen-tighten-loosen within 2s) to have the output from firefly mode to infinite brightness (from 5% to 89%), strobe. you can lock out to select any of the mode you need by screw the body tighten to loosen within 1s.
- ⊙ Battery Replacement  
1, Unscrew the tail cap in counter-clockwise direction.  
2, Insert the battery carrier back into the body.  
3, Screw the tail cap back tightly in a clockwise direction.



4